

reduktion piece

item number: **NRD 50** for height of cable tray 50 mm (H)
NRD 100 for height of cable tray 100 mm (H)

thickness of metal sheet: 0,7 mm

product description: It is used for making an additional branching use an unequal T-piece or cross.

Advantage of this using is availability to choose bending tray with any width.

The reduction piece is delivered in singles, must be used 2 pieces for installation.

The connection is performed using the bolts NSM 6X10. To protect the cables, the bolt head is inside the cable tray.

A bolt with a GMT surface finish is used for a tray with an F surface finish.

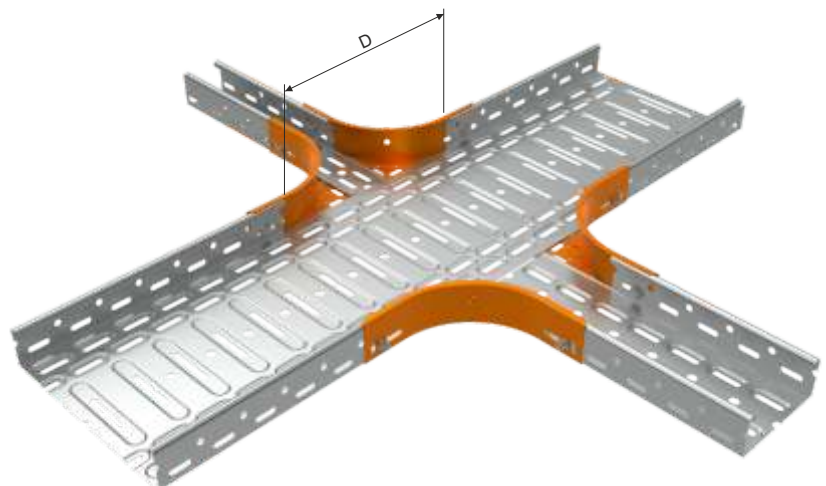
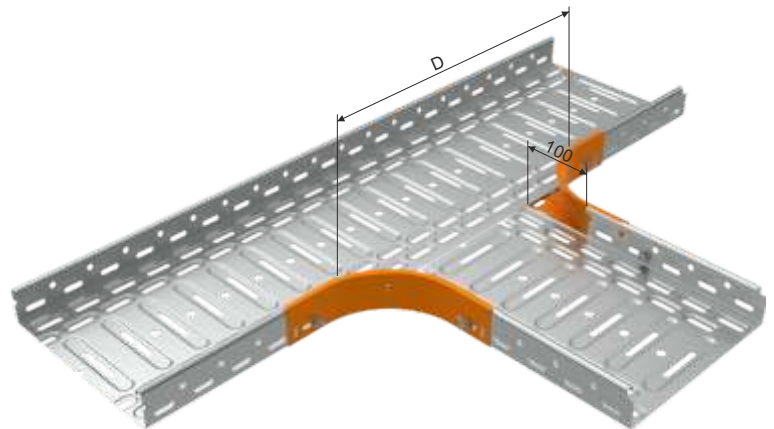
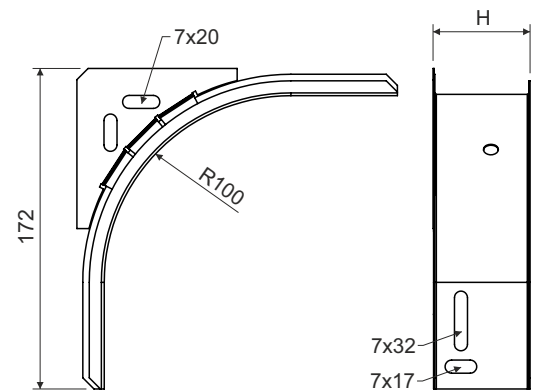
The T-piece may be supplied in polyester varnish (varnish layer 60, 100 µm).

configuration: S - Pre-Galvanized, zinc-layer 15 - 27 µm
 F - Hot Dip Galvanized, zinc-layer 50 - 100 µm
 EO - epoxy coating for indoor environment, along the perimeter, 60 µm
 EC - epoxy coating for indoor environment, - total paint, 60 µm

sales amount: á 1 pc

certification: ČSN 61537:02

storage: EN 60721-3-1



length of cut out side wall of the tray for branch

width of cable tray	D
62	262
125	325
250	450