

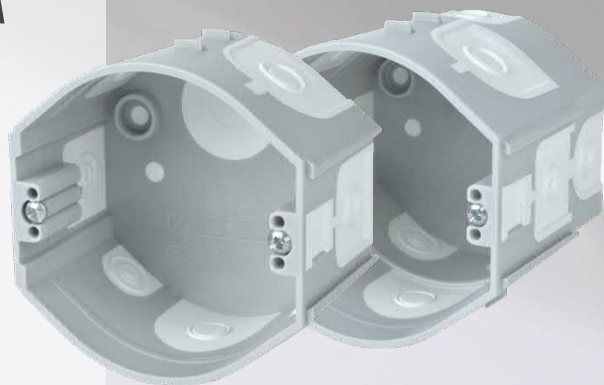
NEWS 20

KOPOS KOLÍN a.s. 20

KOPOS

KP 68/D_KA and KPR 68/D_KA

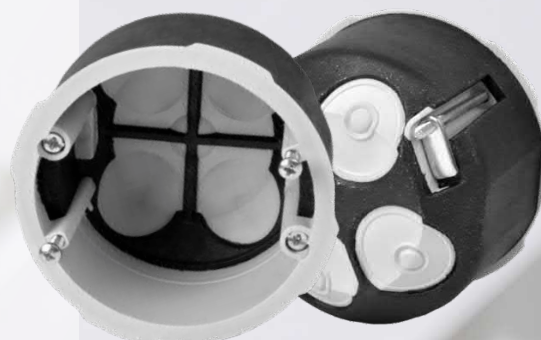
- new standard of instrument boxes under parget
- inlet openings made of flexible material
- air tight even with inserted cable or pipe
- suitable for low energy and passive houses
- simple and firm connection for devices in multiple frames
- different installation depths
- inlets for different pipe diameters
- more installation space due to unique shape
- fire reaction class of the underlying material A1 – F



KPZ-1_PO

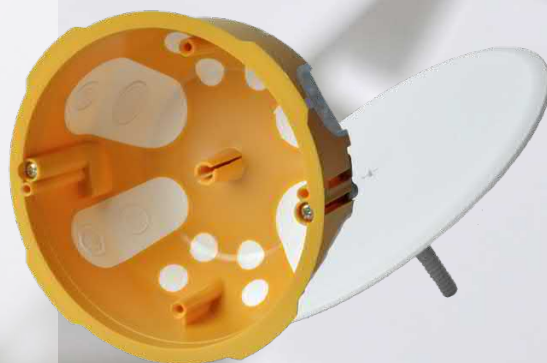
- enclosure for fire rated partition walls with EI 15 to EI 120 certification
- in case of fire, ensure the integrity of the partition and thus prevent the spread of fire
- halogen-free design
- pre-installed instrument and mounting screws
- inlet openings made of flexible material
- suitable for low-energy and passive houses
- possible to combine 3 boxes in the horizontal and 2 boxes in the vertical direction
- fire reaction class of the underlying material A1 – F

Available in selected countries.



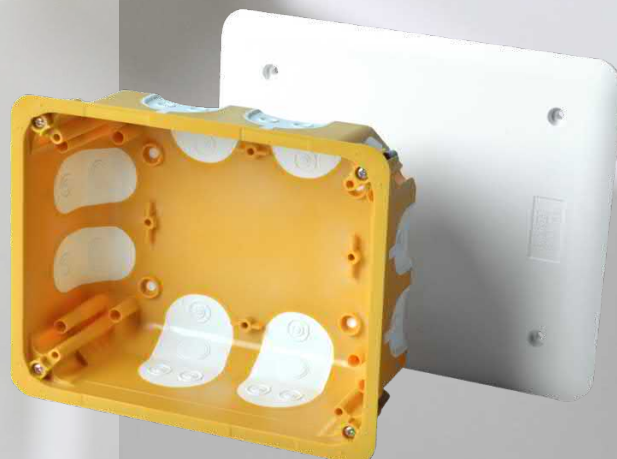
KO 97/LD_NA

- innovative junction box solutions
- suitable for low energy and passive houses
- air tight even with inserted cable or pipe
- double threaded screws for quick assembly
- innovated lid
- Fire reaction class of the underlying material A1 – F



KO 180/LD_NA

- innovative junction box which is airtight even with inserted cable or pipe
- suitable for low energy and passive houses
- suitable for installation of supporting trunking TS, terminal plates S-KSK 2 and screwless terminal plates
- inlet openings are fitted for common cables and pipes
- diameter up to 32 mm
- tips are used to mark drilling points for accurate installation
- fire reaction class of underlying material A1 – F



NEWS 20 KOPOS KOLÍN a.s. 20

NR 5X5_ZB

- five adjustable frames in one
- for instrument boxes under parget
- easily divided after 5 mm
- simple fixation to the built-in box

KSK 80_FA and KSK 100_FA

- intended for installation in environments that require IP 66 protection
- made from UV-resistant material
- integrated sealing into inlet openings for possible grommet installation
- double threaded stainless screws for cover fixation
- option to install terminal plate S-KSK 1
- integrated rim sealing under cover
- fire reaction class of underlying material A1 – F

Clamps ČSN - 52xx PC_S

- innovated range of double-sided clamps for steel pipes „ČSN“
- embossed to ensure better fixation of clamps

6720_PO

- range expansion of cable clamps with maintained functionality in fire
- 6, 8, 10, 12, 16 and new 20 mm
- meets requirements for standardized route – anchoring every 300 mm
- option to fix into concrete or aerated concrete
- two possible surface treatment

KOPOS

